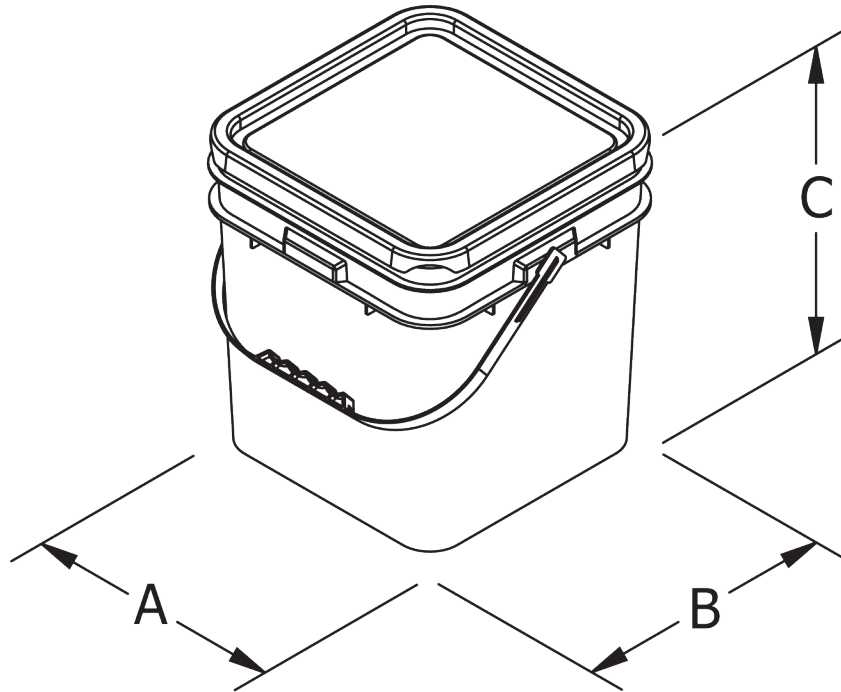


PRO PREMIUM HARNESS KIT



PRODUCT CODE	PRODUCT DESCRIPTION	PRODUCT EAN	A(mm)	B(mm)	C(mm)	WT(kg)	PACKED VOL (m ³)
FS13659	ELEVATED WORK PLATFORM KIT	9312097060418	280	280	300	5.0	0.0235
FS13660	PROFESSIONAL ROOF WORKERS KIT	9312097060425	280	280	300	7.0	0.0235
FS13661	PROFESSIONAL CONSTRUCTION WORKERS KIT	9312097060432	280	280	300	5.0	0.0235
FS13665	ROOF WORKERS KIT	9312097060678	280	280	300	6.5	0.0235
FS13771	PRO PREMIUM HARNESS KIT	9312097062122	280	280	300	4.0	0.0235